



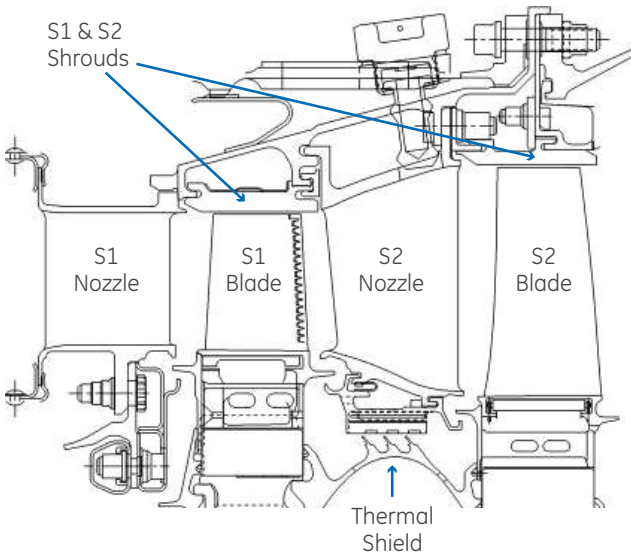
LM2500 Xtend* SAC

Product Description

Advanced hot section technology from the LM2500+G4 aeroderivative gas turbine provides improved materials, coatings and enhanced secondary cooling.

- New de-swirler introduced.
- The Xtend SAC combustor and fuel nozzle kit is available as an option for gas/dry applications.
- Over 2 million operating hours in fleet.

Xtend Hot Section Components

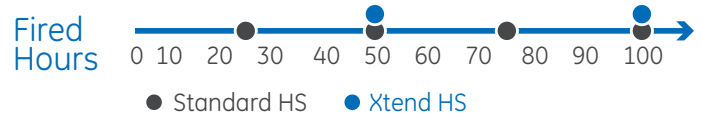


Benefits

- Doubles LM2500 base SAC hot section life, reducing lifecycle cost by eliminating one entire hot section repair/exchange.
- Provides greater availability by avoiding hot section replacement downtime.
- An OEM-approved life extension.

Example Hot Section Interval Extension

Natural gas-fired LM2500 DLE, 8300 hrs/yr



Over 12 Years...

- Can provide up to 144 hours of increased availability by eliminating two hot section exchanges.

Maintainability

Applicable to:	SAC	DLE
Base	✓	
Plus		
+G4		

