



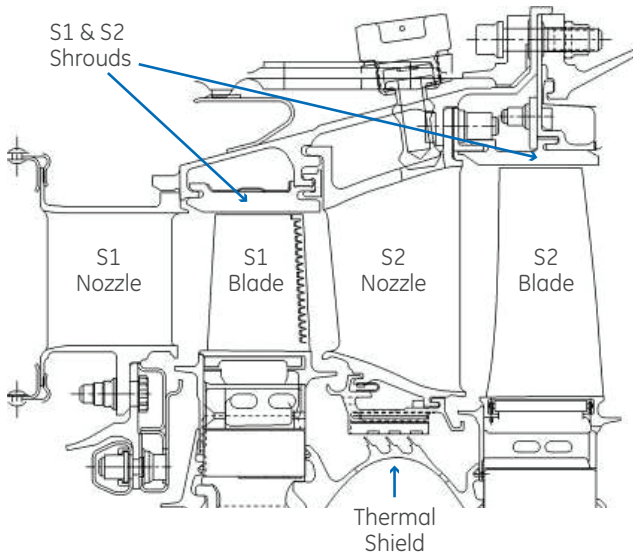
LM2500 Xtend* DLE

Product Description

By utilizing advanced hot section technology from the LM2500+G4 aeroderivative gas turbine, the LM2500 Base engine provides enhanced materials, coatings and enhanced secondary cooling.

- Now available for DLE 1.0 – the LM2500 Base SAC Xtend HPT has 10+ years of experience with over 2 million operating hours.
- The Xtend DLE combustor is available as an option for gas-only applications.

Xtend Hot Section Components

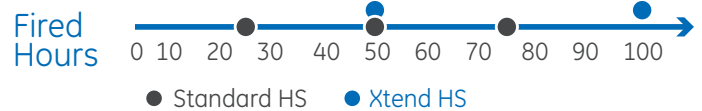


Benefits

- 50K hour LM2500 base DLE hot section life, reducing lifecycle cost by eliminating one entire hot section repair/exchange.
- Greater availability from avoided hot section replacement downtime.
- Incorporates technology advancements from Xtend SAC, including the deswirlers.
- An OEM-approved life extension.

Example Hot Section Interval Extension

Natural gas-fired LM2500 DLE, 8300 hrs/yr



Availability

- Available for orders starting in January 2016.
- Initially only gas fuel capable.
- Option to include combustor in the 50K life guarantee if purchasing a rotatable combustor at the time of the Xtend upgrade.

Maintainability

Applicable to:	SAC	DLE
Base		✓
Plus		
+G4		