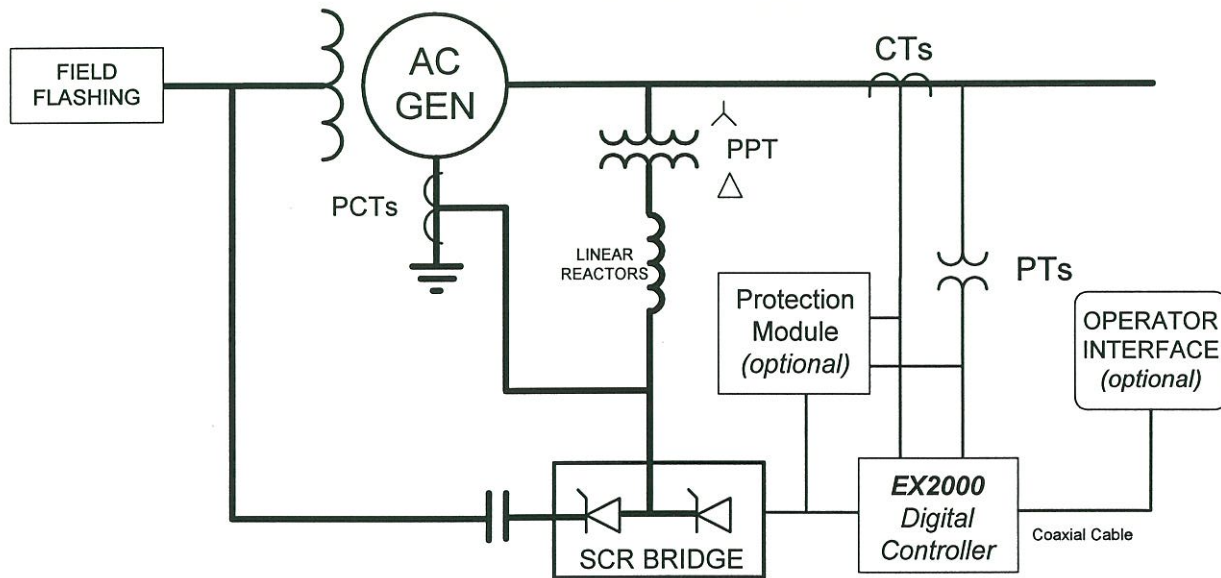




EX2000C COMPOUND SOURCE EXCITATION SYSTEM

Fact Sheet for New Unit Applications



EX2000C Simplified One-Line Diagram

The EX2000C is a digital, static, compound source excitation system, utilizing the latest hardware and software technology. To meet customer and operational requirements, a full range of control and protection functions are available for the product.

Benefits of EX2000C

- 99.98% Availability
- Replaces Old and Failing Components
- Full Digital Design
- Improved Performance
- Exceeds IEEE 421 for HIR Exciter
- Sustained Fault Current Support
- Built-in Diagnostic System
- Built-in Control Simulator
- Faster System Checkout
- Reduced Maintenance
- High Degree of Accuracy, $\pm 0.25\%$
- Configurable with a PC

The EX2000C system comes equipped with a full-wave, inverting, thyristor bridge which supplies excitation power to the rotating field winding of the main AC generator. In addition, all control and protective functions are implemented in the system software. There are no moving parts, such as motor operated setpoint adjusters, as are found in the older excitation systems. Digital technology coupled with over 35 years of GE static exciter design experience allows the EX2000C to maintain 99.98% availability.

Complete redundancy is available through the Hot Backup option. With this option, control and power conversion is transferred online to the spare or Hot Backup module "on-the-fly" without a change in the generators' current operating point.

Standard Features & Functions

- Three-Phase, full wave inverting SCR bridge
- Thyristor bridge circuit filtering
- Thyristor bridge conduction monitor
- Diagnostic display panel
- Operator control simulator
- Shaft voltage suppressor circuit
- Surge Protection
- Field De-Excitation Circuit
- Over Excitation Limiter (OEL)
- Over Excitation Protection (OLOT/OET)
- Under Excitation Limiter (UEL)
- Automatic Voltage Regulator (AVR)
- AVR Software Reference Adjusters
- Manual Voltage Regulator (FVR)
- FVR Software Reference Adjusters
- Bi-directional AutoTracking Function
- Volts per Hertz Limiter (V/Hz LIM)
- Volts per Hertz Protection (24G)
- Reactive Current Compensation (RCC/ARCC)
- Sensing PT Failure Detector (PTFD)
- Generator Field Ground Detector (64F)
- Generator Field Temperature Calculation
- Data Link with GE's MARK V Turbine Control
- Dual source internal bulk power supply
- Three Phase Voltage Sensing
- Two Phase Current Sensing
- Field flashing circuit
- PT and CT Isolation Switches
- Output DC Field Contactor
- 100 millivolt shunt for generator field
- Strip Heaters
- Input Power Potential Transformer (PPT)
- Set of three (3) PCT's
- Set of three (3) Linear Reactors
- NEMA-I Enclosure

Applications

- Steam Turbine Generators
- Gas Turbine Generators
- Hydro Turbine Generators
- GE and Non-GE Units

Optional Features & Functions

- Power System Stabilizer (PSS)
- Hot Backup Spare PCM
- Independent Protection Module with:
 - a. Volts/Hertz (24G)
 - b. Generator Overvoltage (59G)
 - c. Off-Line Overexcitation (OLOT)
 - d. On-Line Overexcitation (OET)
 - e. Loss of Excitation (40)
 - f. Exciter Phase Unbalance (EUT)
- 4-20mA Programmable Analog Outputs
- Dry Contact I/O Cards
- User Friendly Operator Interface
- PSS Tuning Study

Product History

The first EX2000 exciter was shipped in April 1993. Since that time an average of over 120 units per year have been shipped between retrofit and new unit applications. This unprecedented volume is a strong indicator of the products' market acceptance and dominance.

EX2000 Product Line

Model	Description	Amps
EX2000P	Potential Source Exciter	2,000
EX2000C	Compound Source Exciter	2,000
EX2000PC	Partial Compound Source Exciter (No Magnetics, i.e. PPT, PCT, LR)	2,000
EX2000M	Multi-Bridge Potential Source Exciter	10,000
EX2000AR	Alterrex Regulator	1,000
EX2000BR	Brushless Exciter Regulator	100
EX2000DR	DC Exciter Regulator	100
EX2000SR	SCT-PPT Regulator	10

EX2000C Enclosure Information*

Configuration	Width (≤1000A)	Width (1001-2000A)	Weight (lbs)
Simplex	96"	108"	3,780
Simplex with Protection Module	108"	132"	4,000
Hot Backup	168"	192"	7,100

* All enclosures are 20"D. Enclosure height varies from 90" to 112" depending upon options and configurations.

